



Commercial
Vehicles

Volkswagen Transporter

Temperature Controlled Conversion



Built in conjunction with

THE COLD
CONSORTIUM



Volkswagen Transporter

Temperature Controlled Conversion



Commercial
Vehicles

A versatile multi-purpose temperature controlled Volkswagen Transporter built by Accredited Volkswagen Commercial Vehicles converter, The Cold Consortium Ltd.

- Factory Air Conditioned Cab
- Webasto FT35 with single phase Standby
- Moveable bulkhead preparation
- Deep freeze rear doors
- Transcan temperature recorder
- Pallet protection to floor
- Pallet protection to sides
- Load restraints
- Hope Safe T Bar
- 3 year fridge warranty



Want to know more?

For further information on this vehicle or to arrange a customer demo please contact: sales@coldconsortium.co.uk

Load Area Dimensions

Length 2530mm

Width 1465mm

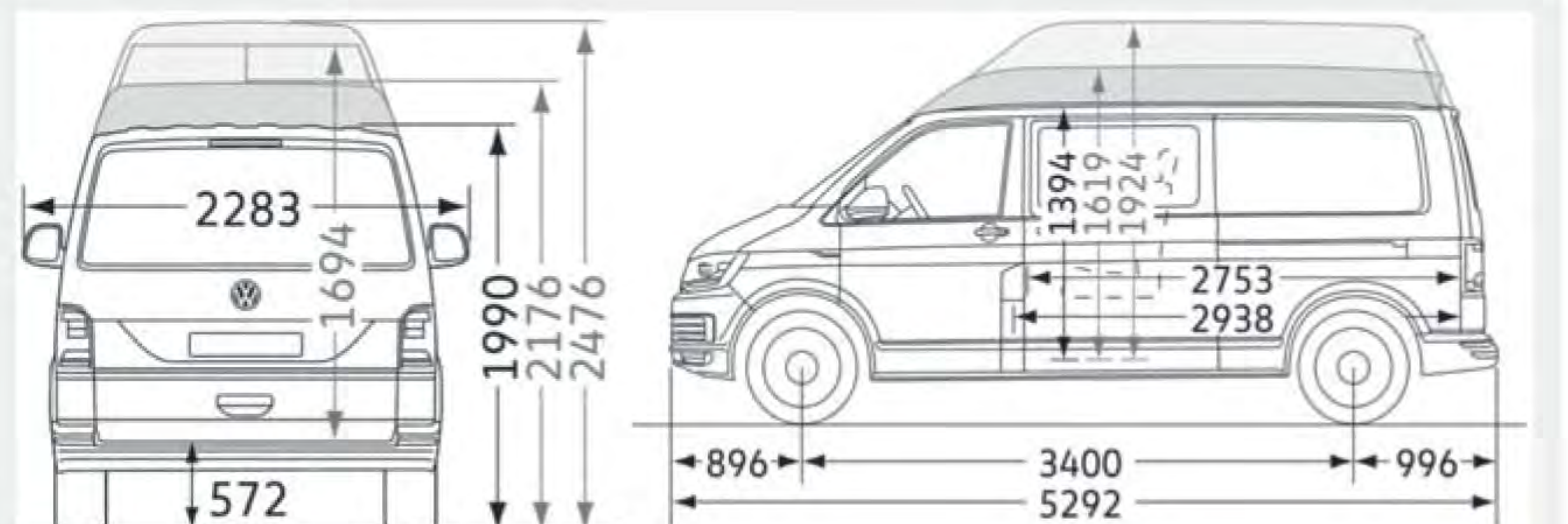
Payload 800kg

Height 1210mm

Width between wheel boxes 1190mm

T6 Transporter 102ps LW B

See our Transporter brochure for full base vehicle specification



Engineered for You™

**THE COLD
CONSORTIUM**

