



Commercial
Vehicles

Volkswagen Crafter

Accessible Minibus



Built in conjunction with

ACCREDITED
CONVERTOR



Volkswagen Crafter

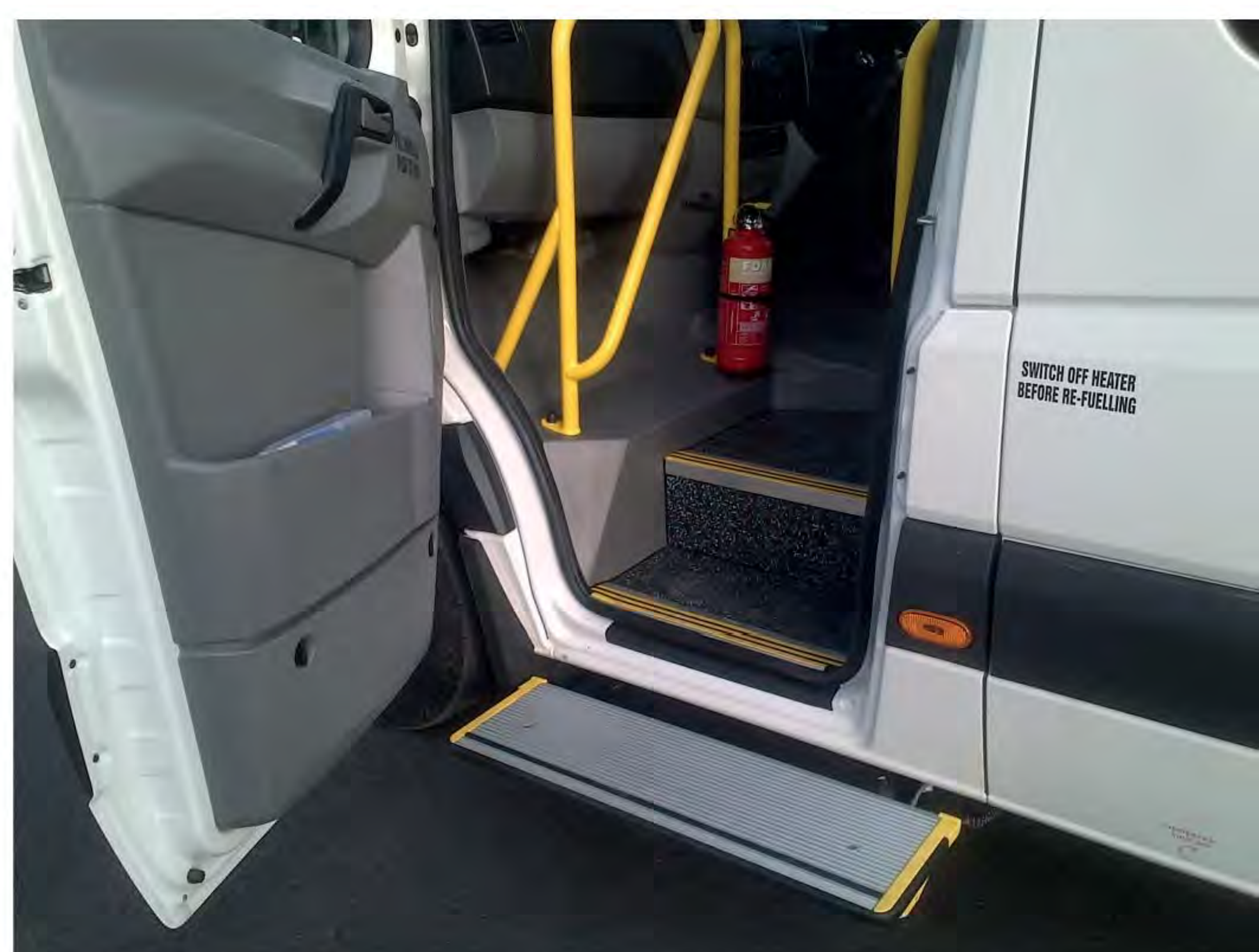
Accessible Minibus



Commercial
Vehicles

A versatile minibus with 16 passenger seats and wheelchair access built by Accredited Volkswagen Commercial Vehicles convertor, TBC Conversions Limited.

- AMF "Smartfloor"; flat floor with 8 full length tracks
- 16 Rescroft CT Lite rear saloon seats with NMI Millennium leg and fitting with wheels for quick release to accommodate up to 6 wheelchairs
- Manually operated OEM front entrance door with modified stepwell
- Manually or electrically operated 800mm cantilever step at front entrance door.
- Battery isolation switch fitted for auxiliary equipment
- Braun Vista Split inboard passenger lift.
- Full length upper cantrail tracking with or without covers
- Eberspächer diesel combustion heater fitted in saloon area
- Emergency escape hatch with break glass hammer
- Choice of wheelchair and wheelchair occupant restraint systems
- European Community Whole Vehicle Type Approval (ECWVTA)



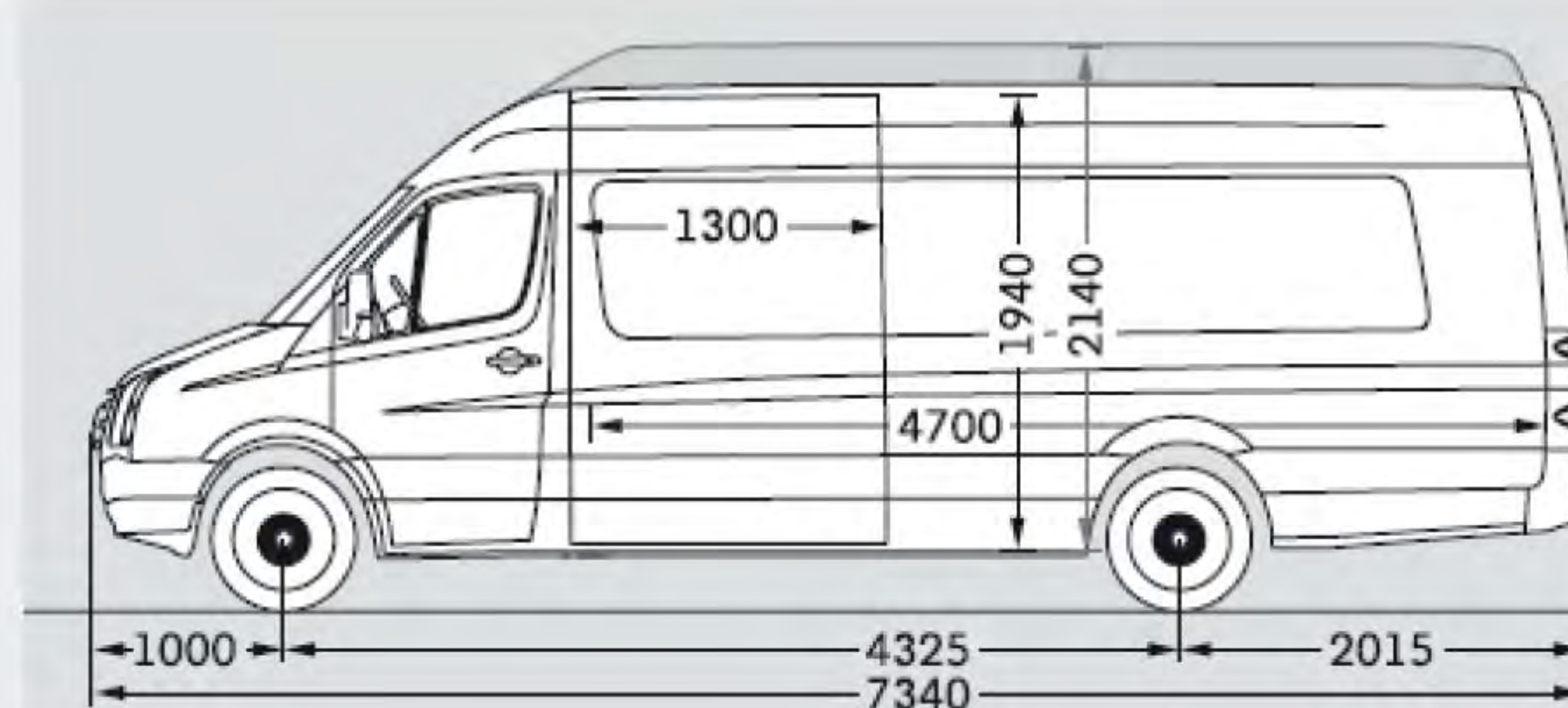
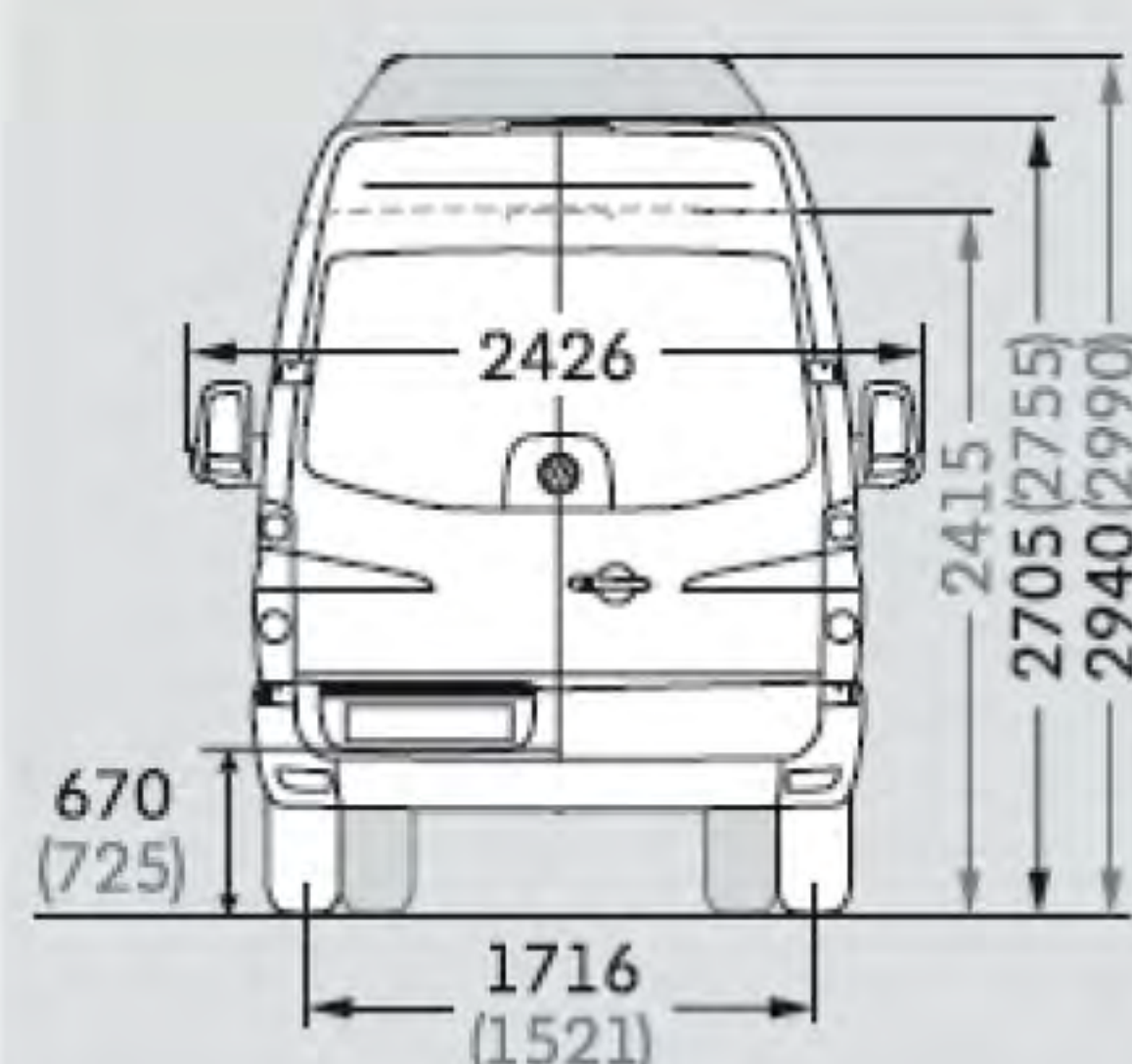
Want to know more?

For further information on this vehicle or to arrange a customer demo please contact:

joanne@tbc-conversions.co.uk

CR50 Maxi

See Crafter
brochure for full base vehicle
specification



Engineered for You™

