



Commercial
Vehicles

Volkswagen Caddy

Low Temperature Conversion



Built in conjunction with

THE COLD
CONSORTIUM



Volkswagen Caddy

Low Temperature Conversion



Commercial
Vehicles

A low temperature converted Volkswagen Caddy built by Recognised Converter, The Cold Consortium Ltd.

- Factory Air Conditioned Cab
- Diavia Concealed Refrigeration System
- Moveable Mid-Bulkhead with Air Transfer option
- Stepped Bulkhead to allow maximum driver seat adjustment
- TKTS2C200 Temperature Recorder
- Load restraints
- Conversion Warranty that matches base vehicle
- Full options range available



Want to know more?

For further information on this vehicle or to arrange a customer demo please contact: sales@coldconsortium.co.uk

Load Area Dimensions after conversion

Length 2005mm

Height 1065mm

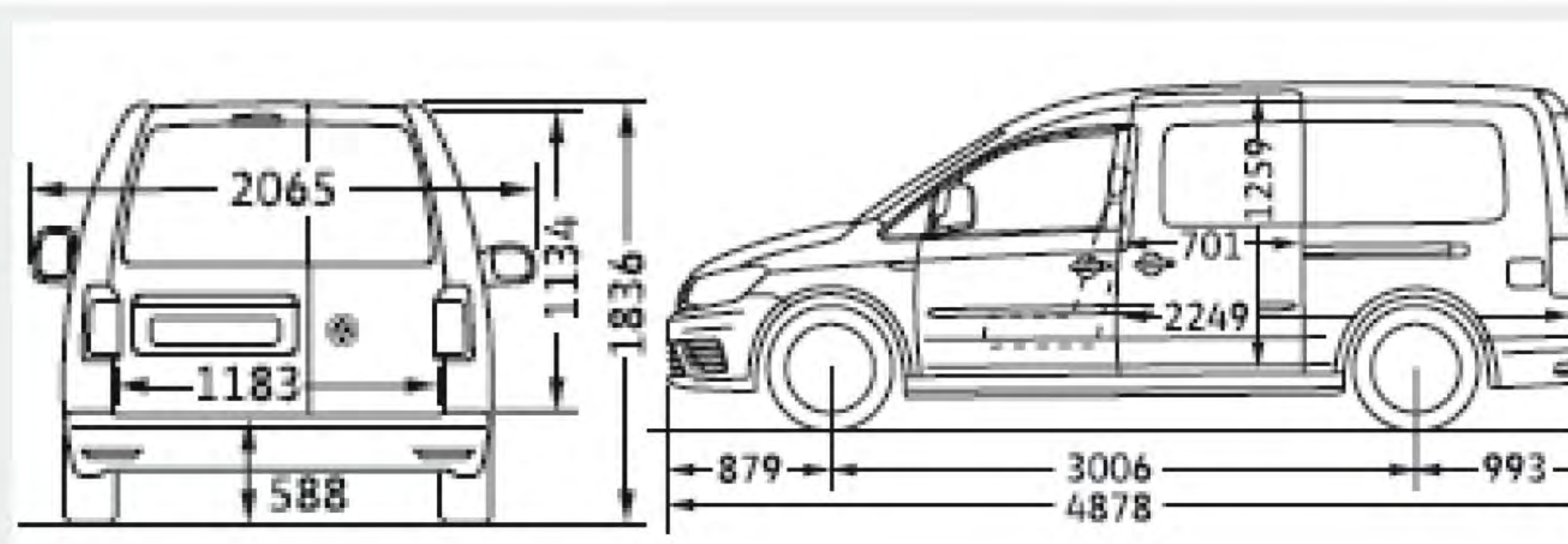
Width 1305mm

Side door opening 675/530mm

Payload 500kg

Caddy Maxi 102ps DSG

See our Caddy brochure for full base vehicle specification



Engineered for You™

THE COLD
CONSORTIUM

